



Computing Platforms & KPI Visualization

# PRODUCTS LINE CARD

For The Pharma Industry




**Mobile Operator Workstation**  
(AMW Series)



**Operator Terminal Workstation**  
(AMA Series)

ARISTA has developed a broad range of products for the pharmaceutical manufacturing process. No matter batch manufacturing process or continuous manufacturing process, such as API synthesis, crystallization, blending, granulation, tablet press and coating, you will find ARISTA has all computing platforms for either manufacturing process automation or KPI visualization in every process in the cleanroom.



**Industrial Remote Touch Displays**  
(ADM Series)






**Industrial Waterproof Panel PCs**  
(ARP-AX Series)

-  Adjustable Angle
-  Class 1, Div 2
-  Mobile
-  IP66
-  Replaceable Keyboard
-  Wi-Fi
- 
- 
- 
-  THINMANAGER READY

## WHO WE ARE

AutomaTech is a longtime partner of ARISTA Corporation, who provides computing platforms to various industries, such as Pharmaceutical, Oil and Gas, Food and Beverage, Automotive, Logistic, FMCG, and more. We work closely with ARISTA to provide the most reliable computing platforms to optimize our customers' manufacturing automation systems. If standard products do not fit customer requirements, AutomaTech will work with ARISTA to develop a custom solution to meet specific needs.

## WHY CHOOSE US

-  **Longevity**
-  **Flexible Customization**
-  **Revision Control**





## Mobile Operator Workstation (AMW Series)



**AMW-1121AX**  
Industrial Stainless Steel  
NEMA 4X / IP66, Wi-Fi



- 21.5" Active Matrix TFT LCD Display
- Native Resolution at 1920 x 1080
- Intel ATOM CPU/ Intel 6th Gen Core-I CPU
- Up to 8GB DDR3 / Up to 16GB DDR4 SO-DIMM
- Wi-Fi Module Included
- Battery Option
- Projected Capacitive Touchscreen
- NEMA 4X Stainless Steel Fully Closed Enclosure
- ThinManager Ready Version Available
- Three Waterproof Keyboard Options



**AMW-1321AX**  
Industrial Stainless Steel  
NEMA 4X / IP66, Wi-Fi



- 21.5" Active Matrix TFT LCD Display
- Native Resolution at 1920 x 1080
- Intel ATOM CPU/ Intel 6th Gen Core-I CPU
- Up to 8GB DDR3 / Up to 16GB DDR4 SO-DIMM
- Wi-Fi Module Included
- Battery Option
- Projected Capacitive Touchscreen
- NEMA 4X Stainless Steel Fully Closed Enclosure
- ThinManager Ready Version Available
- Three Waterproof Keyboard Options



**AMW-1521AX**  
Industrial Stainless Steel  
NEMA 4X / IP66, Wi-Fi



**Storm Trooper Star Trooper**

- 21.5" Active Matrix TFT LCD Display
- Native Resolution at 1920 x 1080
- Intel ATOM CPU/ Intel 6th Gen Core-I CPU
- Up to 8GB DDR3 / Up to 16GB DDR4 SO-DIMM
- Wi-Fi Module Included
- Battery Option
- Projected Capacitive Touchscreen
- NEMA 4X Stainless Steel Fully Closed Enclosure
- ThinManager Ready Version Available
- Three Waterproof Keyboard Options



**AMW-2219AX**  
Industrial Stainless Steel  
NEMA 4X / IP66, Wi-Fi



- 2 x 19" Active Matrix TFT LCD Display
- Native Resolution at 1280 x 1024
- Intel ATOM CPU/ Intel 6th Gen Core-I CPU
- Up to 8GB DDR3/ Up to 16GB DDR4 DIMM
- Wi-Fi Module Included
- Battery Option
- Projected Capacitive Touchscreen
- NEMA 4X Stainless Steel Fully Closed Enclosure
- ThinManager Ready Version Available
- Three Waterproof Keyboard Options



**AMW-2224AX**  
Industrial Stainless Steel  
NEMA 4X / IP66, Wi-Fi



- 2 x 24" Active Matrix TFT LCD Display
- Native Resolution at 1280 x 1024
- Intel ATOM CPU/ Intel 6th Gen Core-I CPU
- Up to 8GB DDR3/ 16GB DDR4 SO-DIMM
- Wi-Fi Module Included
- Battery Option
- Projected Capacitive Touchscreen
- NEMA 4X Stainless Steel Fully Closed Enclosure
- ThinManager Ready Version Available
- Three Waterproof Keyboard Options



**AMW-2318AX**  
Industrial Stainless Steel  
NEMA 4X / IP66, Wi-Fi



- 3 x 18.5 inch Displays
- Native Resolution at 1920 x 1080
- 2.6/3.4 GHz i7-6600U/2.4/3.0 GHz i5-6300U, 1.6 GHz Celeron-3855U
- Up to 32GB DDR4 Memory
- Wi-Fi Module Included
- Battery Option
- Projected Capacitive Touchscreen
- NEMA 4X Stainless Steel Fully Closed Enclosure
- ThinManager Ready Version Available
- Three Waterproof Keyboard Options

## Operator Terminal Workstation (AMA Series)



**AMA-1521AX**  
Industrial Stainless Steel NEMA 4X / IP66, Wi-Fi

- 21.5" Active Matrix TFT LCD Display
- Native Resolution at 1920 x 1080
- Intel ATOM CPU/ Intel 6th Gen Core-I CPU
- Up to 8GB DDR3 / Up to 16GB DDR4 SO-DIMM
- Wi-Fi Module Included
- Battery Option
- Projected Capacitive Touchscreen
- NEMA 4X Stainless Steel Fully Closed Enclosure
- ThinManager Ready Version Available
- Three Waterproof Keyboard Options



90°  
Keyboard Angle Adjustable



**AMA-2521AX**  
Industrial Stainless Steel  
NEMA 4X / IP66 Wi-Fi

- Two 21.5" Active Matrix TFT LCD Display
- Native Resolution at 1920 x 1080
- Intel ATOM CPU/ Intel 6th Gen Core-I CPU
- Up to 8GB DDR3 / Up to 16GB DDR4 SO-DIMM
- WiFi Module Included
- Projected Capacitive Touchscreen
- NEMA 4X Stainless Steel Fully Closed Enclosure
- ThinManager Ready Version Available
- Three Waterproof Keyboard Options

Version: 2020/09



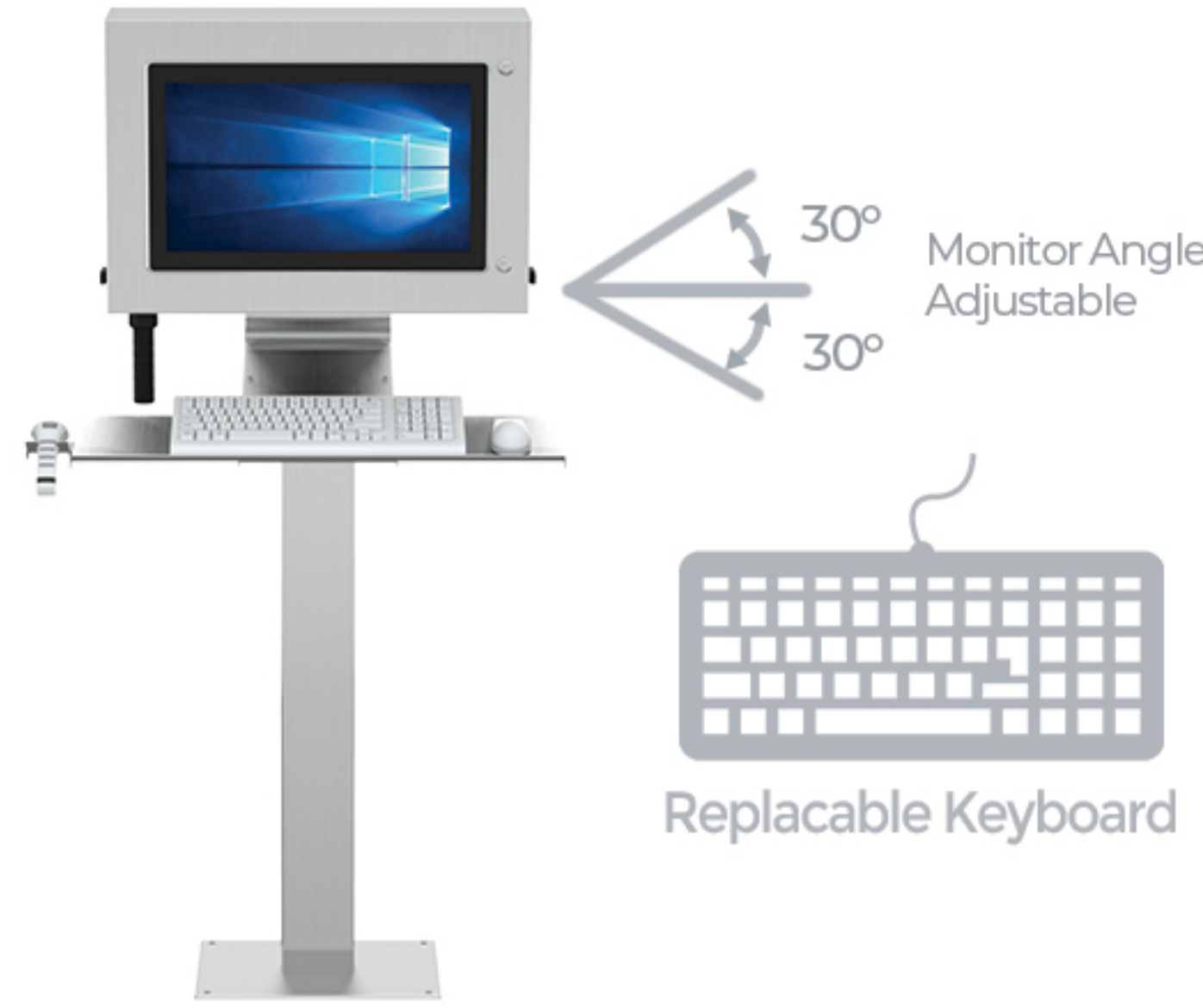


## Operator Terminal Workstation / Remote KVM (AMA Series)



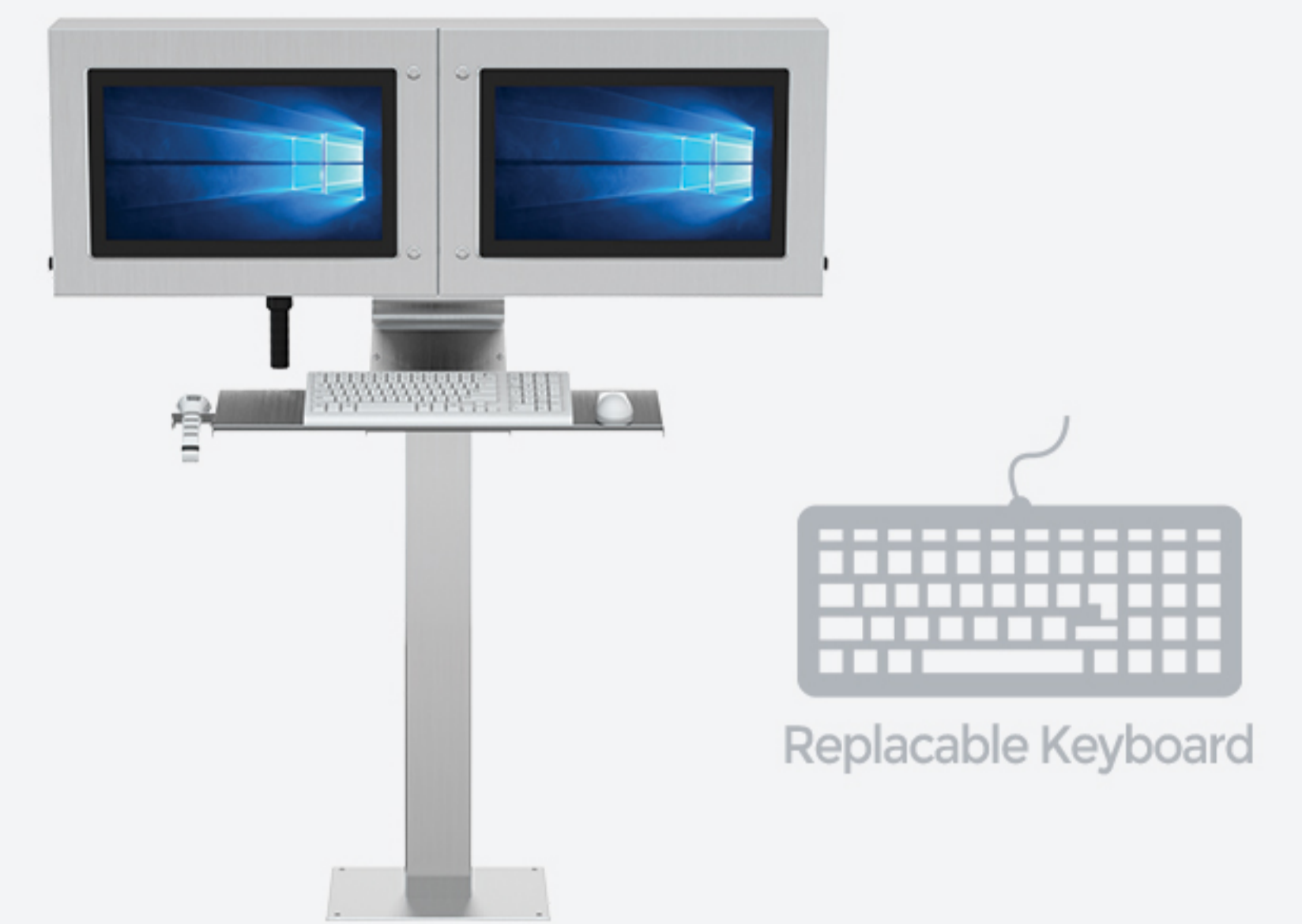
**AMA-7421AX**  
21.5" Projected Capacitive Touch, Mini PCI Expansion Slot

- Active Matrix 21.5" TFT LCD Display
- Native Resolution at 1920 x 1080
- Projected Capacitive
- NEMA 4X Stainless Steel Fully Closed Enclosure
- Fanless Cooling



**AMA-8121AX**  
21.5" Projected Capacitive Touch, Mini PCI Expansion Slot

- Active Matrix 21.5" TFT LCD Display
- Native Resolution at 1920 x 1080
- Projected Capacitive
- NEMA 4X Stainless Steel Fully Closed Enclosure
- Fanless Cooling



**AMA-8221AX**  
Dual 21.5" Projected Capacitive Touch, Mini PCI Expansion Slot

- Dual Active Matrix 21.5" TFT LCD Display
- Native Resolution at 1920 x 1080
- Projected Capacitive Touchscreen
- NEMA 4X Stainless Steel Fully Closed Enclosure
- Fanless Cooling



**AMA-3821AX**  
Industrial Stainless Steel NEMA 4X / IP66

- 21.5" Active Matrix TFT LCD Display
- Native Resolution at 1920 x 1080
- Intel ATOM CPU/ Intel 6th Gen Core-I CPU
- Up to 8GB DDR3/ Up to 16GB DDR4 SO-DIMM
- Dual Gigabit LAN
- Projected Capacitive Touchscreen
- NEMA 4X Stainless Steel Fully Closed Enclosure
- ThinManager Ready Version Available
- Three Waterproof Keyboard Options



**AMA-5500AX Series**  
Industrial Stainless Steel NEMA 4X / IP66

- 21.5" Active Matrix TFT LCD Display
- Native Resolution up to 1920 x 1080
- Intel ATOM CPU/ Intel 6th Gen Core-I CPU
- Up to 8GB DDR3/ Up to 16GB DDR4 SO-DIMM
- Dual Gigabit LAN
- Projected Capacitive Touchscreen
- NEMA 4X Stainless Steel Fully Closed Enclosure
- ThinManager Ready Version Available
- Three Waterproof Keyboard Options



**AMA-7000AX Series**  
15" / 19" / 21.5" Resistive Touch, NEMA 4X, mPCIe Expansion Slot

- Active Matrix 15" / 19" / 21.5" TFT LCD Display
- Native Resolution up to 1920 x 1080
- 5-Wire Resistive Touchscreen
- NEMA 4X Stainless Steel Fully Closed Enclosure
- Fanless Cooling
- ThinManager Ready Version Available



It's large format support Quad View that is the best choice for your KPI Visualization Application.



Quad View

Wall Recessed

**AMA-7155AX**  
55" 500 Nits IP66 Display / Computer, NEMA 4X, Projected Capacitive Touch

- 55" Active Matrix TFT LCD
- Intel ATOM CPU/ Intel 6th Gen Core-I CPU
- Resolution : 1080P / 4K
- Flush Bezel VESA Mount Design
- VGA, DVI, HDMI Display Input
- Black Powder Coated
- Projected Capacitive Touch
- USB Touch Interface
- AC Input



## Industrial Waterproof Panel PCs (ARP-AX Series)



**ARP-3821AX**  
21.5" Projected Capacitive Touch,  
NEMA 4X Fully Enclosed Panel PC

- 21.5" Active Matrix TFT LCD Display
- Stainless Steel Enclosure
- Projected Capacitive Touch
- Intel ATOM CPU/ Intel 6th Gen Core-I CPU
- Up to 8GB DDR3/ Up to 16GB DDR4
- 1 x Gigabit LAN (E01)/ Dual Gigabit LAN (H01)
- Wi-Fi Connectivity (Optional)
- 1 x 2.5" SATA HDD



**ARP-5500AX Series**  
5-Wire Resistive Touch or Tempered  
Glass, NEMA 4X Fully Enclosed Panel PC

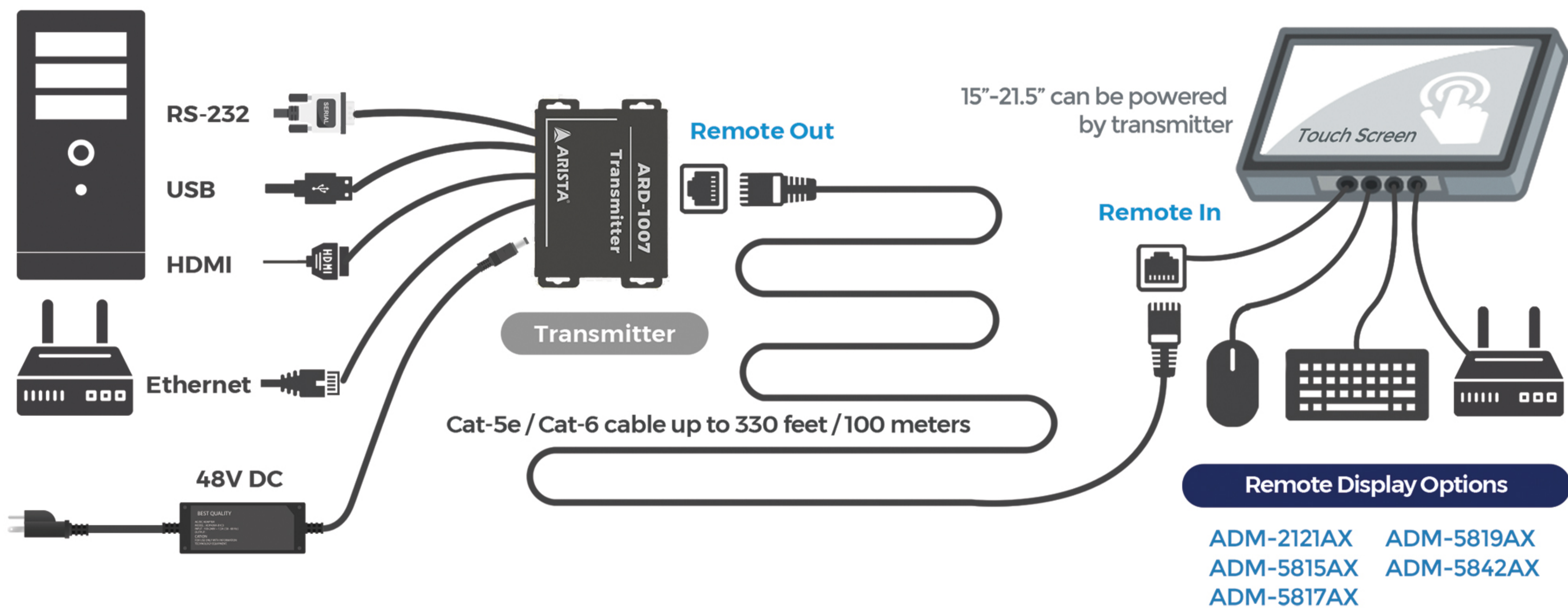
- 15" / 17" / 19" Active Matrix TFT LCD Display
- Stainless Steel Enclosure
- 5-Wire Resistive Touch or Tempered Glass
- Intel ATOM CPU/ Intel 6th Gen Core-I CPU
- Up to 8GB DDR3/ Up to 16GB DDR4
- 1 x Gigabit LAN (E01)/ Dual Gigabit LAN (H01)
- Wi-Fi Connectivity (Optional)
- 1 x 2.5" SATA HDD



**ARP-5542AX**  
42" IR Touch or Tempered Glass,  
NEMA 4X

- 42" Active Matrix TFT LCD Display
- Stainless Steel Enclosure
- IR Touch or Tempered Glass
- Intel E3845 1.91GHz ATOM CPU
- 8GB DDR3L SO-DIMM Memory
- 1 x Gigabit LAN
- 1 x 2.5" SATA HDD

## Industrial Remote Waterproof Touch Displays (ADM-AX Series)



**Remote**

330 feet / 100 meters  
Powered by Transmitter  
(HDMI)

**ADM-2121AX**  
21.5" 250 Nits NEMA 4X Display, PoE &  
Touch, Waterproof

- 21.5" Active Matrix TFT LCD Display
- Resolution up to 1920 x 1080
- Integrated HDMI & USB Extender; Video signal transmission length up to 330 ft (100m) over CAT5e cable
- NEMA 4X/Waterproof Stainless Steel Enclosure
- Projected Capacitive Touch



**Remote**

1000 feet / 330 meters  
Powered by Transmitter  
(VGA)

**ADM-5800AX Series**  
15" / 17" / 19" / 42" NEMA 4X Display,  
AC / DC & Touch Options, Waterproof

- 15" / 17" / 19" Active Matrix TFT LCD Display
- Resolution up to 1920 x 1080
- Integrated VGA & RS-232 Extender; Video signal transmission length up to 1,000 ft (330m) over CAT5e cable
- NEMA 4X/Waterproof Stainless Steel Enclosure
- 5-Wire Resistive Touch or Tempered Glass
- IR Touchscreen or Tempered Glass (for ADM-5842AX)
- Adjustable equalization and gain control
- AC Input and 24V DC Input Available
- De-skew compensation available for RGB delay control

Reseller / SI info.